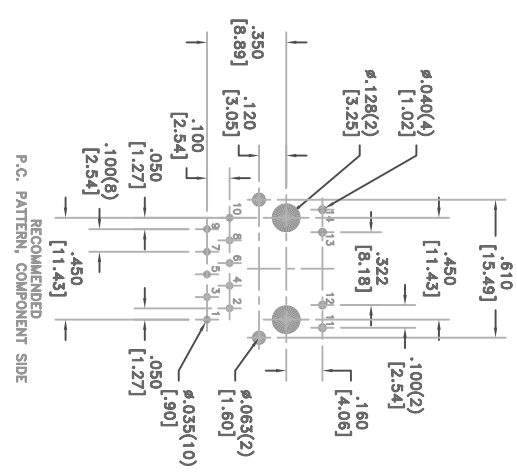
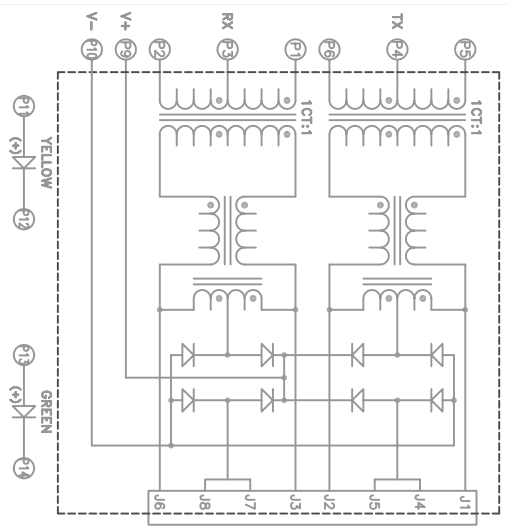
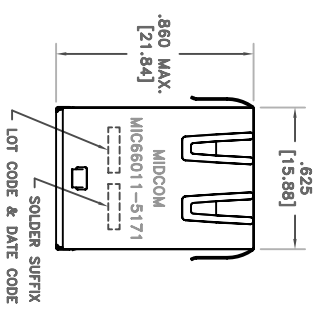
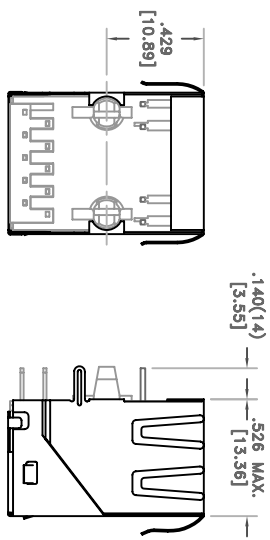
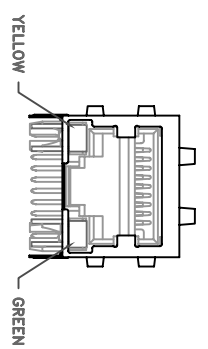


SOLDER SUFFIX	CUSTOMER TERMINAL	ROHS	LEAD(Pb)-FREE
LF3	Sn100X	Yes	Yes



ELECTRICAL SPECIFICATIONS @ 25°C unless otherwise noted:

- INDUCTANCE: 350uH min., 100kHz, 100mV, 5mADC, J1-J2; J3-J6, Lp.
 - DIELECTRIC RATING: 1500Vrms for 1 minute between P1-J1(the P2+P5, J2+J3).
 - TURNS RATIO/POLARITY: (P1-P2):(J3-J6) = 1:1, ±2%. (P5-P6):(J1-J2) = 1:1, ±2%.
 - INSERTION LOSS: -1.0dB max., 1MHz - 100MHz.
 - RETURN LOSS: -18dB min., 1M - 30MHz. -16dB min., 30M - 45MHz. -14dB min., 45M - 60MHz. -12dB min., 60M - 80MHz.
 - CROSSTALK: -35dB min., 1MHz - 100MHz.
 - COMMON MODE REJECTION: -35dB min., 1MHz - 100MHz.
 - OPERATING TEMPERATURE RANGE: -40°C to +85°C.
- Designed to handle 350mADC and meet 802.3af.

Midcom, Inc.
Watertown, SD USA
Toll Free: 800-643-2661
Fax: 605-886-4486

Unless otherwise specified:
Tolerances: Angles: ±1°
Fractions: ±1/64
Decimals: ±.010 [25]
This drawing is dual dimensioned. Dimensions in brackets are in millimeters.

DRAWING TITLE
TRANSFORMER
749 921 112 1

Midcom
REVISIONS: SEE SHEET 1

DRAWING NO. MIC66011-5171-T-LF3
SCALE ---
SHEET 2 OF 6
AGENCY NUMBER UL 60950-1 E209930
REV. 68 8/06